

# KÄRCHER

makes a difference



**MORE SKILL. MORE TO OFFER.  
HIGHER IQ.**

Make the most of it with our new gantry car wash Klean!Star iQ.



# INDIVIDUALS ARE ALWAYS ENTITLED TO WANT MORE

That's how the world is. It is human nature to want more. That's why our Klean!Star iQ has superb unique functions that impress even the most discerning customers. A premium gantry car wash that makes you stand out on the market. Distinguish yourself, fully exploit your potential, especially at sites with discerning customers.





# **FOR YOUR SUCCESS AND YOUR FUTURE**

You are well aware that with the vehicle wash it is about much more than clean cars. It is about satisfied customers who come back again and again. It is about economic success and sustainability. To sum up: Your success.

## **Key Performance**

Kärcher is a global leader for cleaning technology with more than 20 years of experience in gantry car washes.

## **Availability**

Long service life of our machines and a comprehensive service network guarantee you maximum availability.

## **Economy**

On our end economy starts with low operating costs. Then there are customer-oriented innovations, added value for the end customer, differentiation to other locations and higher sales.

## **Rapidity**

We want to help you reach your goals faster. With quick wash programmes, optimised washing times and a variety of programmes tailored to your needs.

## **Comfort**

Comfort is never an end in itself. The design of your Klean!Star iQ is a real eye-catcher that attracts customers. For you as operator we have passed on the simple and intuitive operation to our Klean!Star iQ. You will appreciate the added-value immediately and recognise the comfort as a gain.

## **Holistic**

We accompany you throughout all phases, from consulting and planning through to the realisation. And during operation with advanced services.

## **Environment**

Environmental protection, the protection of resources and sustainability are just as important to us as you are. From the outset in production through to the ongoing operation of the system.

## **Results**

Visible results are what matters to your customers. The excellent washing quality, also in the rear area and at the wheel rims. Perfect drying. And then what ultimately counts: complete customer satisfaction and sustainable sales.

# BETTER IN EVERY RESPECT

Think in new dimensions. With our Klean!Star iQ it specifically means a greater width at mirror and wheel level for easier entry and exit. And between entry and exit you experience many other new dimensions of the washing technology.



## **Greater width and height for more success**

Modern vehicles are wider and taller. Your Klean!Star iQ is perfectly adapted to mirror and wheel level with greater width. For optimal use of your wash hall you can set 3 different wash heights to a frame height with K!Adjust. The roof brush is raised gradually.

## **Saving water is obvious**

Lower your operating costs and protect natural resources. During the wash our Klean!Star iQ supplies the brushes with reclaim water in the second cycle and only carries

out the rinsing with fresh water. This is as easy as it is intelligent and efficient. You can also of course only use fresh water.

## **Delivered in one piece**

You want your new gantry car wash delivered and installed as quickly as possible. And this is the way it will be! We deliver your Klean!Star iQ completely assembled. Our innovative assembly concept makes possible preassembly in the factory and very simple and fast installation at your premises.



### Everything in sight

You don't have to stand beside your Klean!Star iQ in order to practically be on site. Thanks to our Kärcher Fleet telematics system you see all key data and the technical status at a glance online at any time. With data on run-times, cleaning agent consumption and the number of washes, you have a continuous overview of the efficiency of your system. And thus a solid base for your planning. Current information about downtimes and error messages

make possible a fast response. Kärcher Fleet looks after the entire fleet management for you, not only for your Klean!Star iQ, but also for other mobile or stationary cleaning machines from Kärcher.

Kärcher Remote enables future-oriented services such as remote diagnostics and remote maintenance via our service portal. This means the most efficient form of service is available!

# MORE HIGH PRESSURE FROM ALL SIDES

Customised high pressure: depending on the equipment, decide in favour of a high-pressure option and then on the compatible high-pressure pump.



## Wheel high pressure

The high-pressure unit for the lower area from sills to mirrors is included in the basic equipment of every Klean!Star iQ.

## Roof high pressure

This option includes the pre-cleaning of the roof, front and rear area with a high-pressure tube mounted at the roof drier. You have a choice of three versions depending on the roof drier system selected: the fixed roof high-pressure unit with fixed nozzles. The swivelling roof high-pressure unit with nozzles that swivel 30° forwards and back. Exclusively for the Klean!Star iQ in combination with K!Dry iQ you obtain the +/- 135° swivelling roof high-pressure unit. This is optimally adapted to the contour across the entire vehicle area - for optimal cleaning results, even behind spoilers.

## Wheel/Side high pressure

With this option the wheel high-pressure unit is extended with a high-pressure tube at the side in order to effectively pre-clean the upper parts of the vehicle. Offer your customers optimal pre-cleaning of the sill and/or side area with this option.





#### **Prewash swivel mechanism**

This option includes the side high-pressure unit and active foam that swivel in driving direction and opposite direction. The controlled cleaning agent application of VehiclePro Klear!Prewash and the effective high-pressure pre-cleaning achieve a better cleaning result in the front and rear area. The angle setting of the tubes allows the simultaneous use of both spray systems for very fast washes.

#### **Underbody wash**

There is scarcely a customer who doesn't take advantage of the thorough removal of dirt on the underbody of their vehicle. This option brings you additional sales.



# NEW WAYS FOR CLEANING AND CARING

Choose from a variety of cleaning and care programmes with which you best meet the individual needs of your customers. Your Klean!Star iQ already has the following cleaning and care programmes ex works:



## Active foam

Our powerful and intensive active foam developed especially for the Klean!Star iQ effortlessly removes stubborn dirt. The VehiclePro Klear!Foam is applied in the gantry frame via special nozzles or optionally via a spray system at the roof brush during the brush wash. This helps us to reduce the washing time and subsequently achieve an even higher throughput: And for you this simply means more sales.



## Shampoo

We use shampoo for the brush wash that not only guarantees powerful cleaning but also a very gentle wash process. Our VehiclePro Klear!Brush is optimally tailored to the Klean!Star iQ and reliably removes even stubborn dirt. And it already opens up the water film during the brush wash for efficient drying.

## Wax

Shiny vehicles ensure satisfied customers. In your Klean!Star iQ your customers' vehicles are well protected against external influences and receive a beautiful shiny appearance with the application of VehiclePro Klear!Glow after the rinsing process.

## Drying aid

A drying aid is applied during the rinsing process for the perfect drying of a vehicle. VehiclePro Klear!Dry is optimally tailored to the different driers of our Klean!Star iQ. Quick opening of the water film is a prerequisite especially for our high-performance cleaner K!Dry iQ in order to achieve drying in a single passing. The quick opening of the water film is a prerequisite for faster drying and the desired higher throughput.

You are optimally positioned with these cleaning and care programmes. And the other options ensure no wish is unfulfilled:

**Intensive precleaning**

Offer your customers the ideal seasonal pre-wash. Our intensive precleaning with Vehicle Pro Klear!PreWash effectively removes insect residue in the summer or salt deposits in the winter and optimally prepares the vehicle for the other cleaning steps.



**Polish**

Our polish ensures long-lasting and shiny conservation of the vehicle surface and protects the vehicle against external influences for several months. Such well-maintained paintwork helps conserve the value of the vehicle.



**Rim foam**

You find the toughest dirt on rims: tyre wear, burnt-in brake dust and gritting salt. Our rim foam effectively removes all this in a gentle way. Such perfectly clean rims convince your customers to return. And as a result you achieve another new sale.

**Foam wax**

The application of foam wax after the rinsing process gives the vehicle excellent protection against external influences as well as a long-lasting shiny effect. And nothing convinces a customer better than a brilliantly shiny vehicle.

**Additional wax conservation**

Your Klean!Star iQ offers you the option of applying additional special wax. The wax can be applied as a liquid or foam. An offer that attracts and convinces even the most discerning customers.

# TURNING A DESIGN UPSIDE DOWN IS MORE INTELLIGENT.

The irrefutable basic principle of industrial design is: Form follows function. We have reversed this principle. With our Klean!Star iQ the function follows the form: The side brushes follow every body form. Exactly. The angle of the brushes is adapted to the side panels and the rear element for element. Perfectly.



## **More is not possible: K!Brush iQ\***

Side brushes are now intelligent. The brushes of our K!Brush iQ are divided into segments. The individual brush segments are adapted by a vertical axle offset to the vehicle contour. The brush segments swing out based on the contour. Equipped with CareTouch brushes and K!Back iQ with K!Brush iQ you obtain a cleaning performance that will impress both you and your customers. And a look that appeals to customers as a real eye-catcher.

\* Expected to be available in Q1/2019

**Gentle: CareTouch**

CareTouch are contoured brushes made from a specially foamed polyethylene. We chose CareTouch for the roof and side brushes of our Klean!Star iQ in order to guarantee very gentle removal of dirt on the vehicle surface.



**Millimetre precision**

We rethought the side brush inclination: We use precise racks for our Klean!Star iQ. This way the system achieves not only a low-maintenance and high-precision service, but detects the exact position of the brush at the vehicle at any time. And as is generally known it is millimetre precision for perfect and gentle cleaning. When we do something different to all the others, then it is simply because we want to make it better.



**Twist and tilt: K!Back iQ**

For optimal cleaning of the vehicle rear the side brushes swivel 90° behind the vehicle and are tilted 15°. As a result, the brushes are better adapted to the vehicle contour and can remove the dirt with consistent pressure.



**Twice as good: Contour detection of the side brushes**

In the forward direction our Klean!Star iQ places the side brushes at an angle of up to 15° diagonal to the vehicle so that the upper area is optimally detected and cleaned. In reverse mode the side brushes are guided down accordingly in order to also optimally clean the sill area.

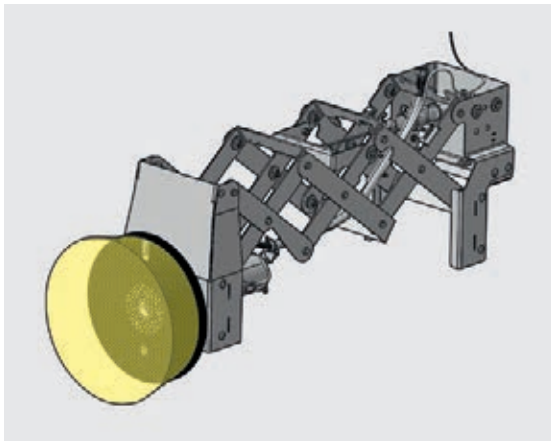
# SPOT ON

The wheel wash has always been one of the greatest skills of the vehicle wash: Spokes in all possible shapes, deep 3D structures and all different wheel sizes are one problem, stubborn dirt as well as burnt-in brake dust and encrusted gritting salt are another. You solve both problems with our wheel washers.



**Precise wavy lines: K!Wheel iQ**

The straight path or direct route is not always the best. Our K!Wheel i Q travels in an S-bend for the height adjustment to the wheel, thus always meeting the centre. As a result, you obtain more accurate wheel cleaning and perfect results for all sizes of rims.



**Optimal: K!Planet iQ**

With our planetary gear wash you obtain the best rim cleaning that effectively removes the most stubborn dirt in a gentle manner. For this purpose we have equipped our K!Planet iQ with an integrated wheel housing cleaning as well as K!Wheel iQ. The wheel wash works in principle like an electric toothbrush with three rotating brush discs, two small and one larger, which rhythmically change their direction of rotation. K!Planet iQ requires high pressure at the gantry. And for gentle, powerful cleaning our VehiclePro Rim Foam.

# **CLEANLINESS ITSELF IS NOT ENOUGH.**

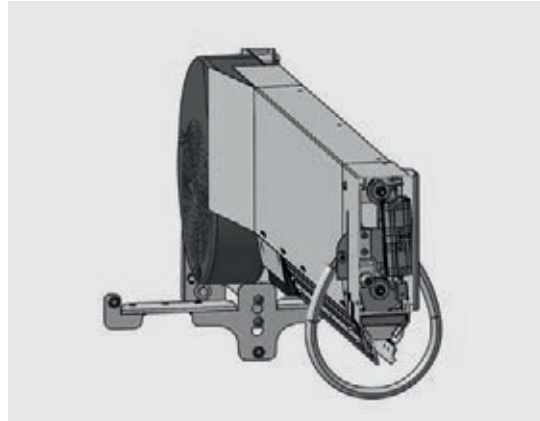
The best wash result is nothing without perfect drying. And the modern body lines and vehicle contours do not make it any easier. That's why we sat down and reflected and solved the problem!





**Returns to the contour at an angle**

The +/- 30° swivelling roof drier follows the contour of the vehicle. The result is even better and faster drying in the front and rear area.



**As before, only much better**

Our drier follows contours and achieves excellent drying thanks to its high air flow volume.



**Dry in no time at all: K!Dry iQ\***

More air dries better. But the limits of feasibility are eventually reached. We made the air flow of our blower much faster. Faster air in a shorter time for unprecedented drying. Our high-performance drier with a +/- 135° swivelling nozzle bar turns to a stop and pushes the drops of water away. The blowers rotate at approx. 18,000 min<sup>-1</sup>. This makes possible optimal drying of even difficult contours in the front and rear area in only one passing.

\* Expected to be available in Q1/2019

# A GOOD APPEARANCE IS CONVINCING.



**Skill and a good appearance always look well.  
Show your customers at first glance that they can  
expect more from your Klean!Star iQ. Lots more.**

## **24 combinations for your individuality**

You decide how your Klean!Star iQ looks. Choose the Kärcher standard design or your favourite colour from 8 standard colours for frame and doors. Then decide on one of the 3 front door designs. And that's only the standard options.

## **Beautiful and modern: K!Design**

This is the distinctive design of advanced technology: consistent and extensive, high-quality acrylic glued with foil. Exclusively in the Day & Night look in black or one of 8 standard colours.

The pictures of the RAL colours are not colour binding.



RAL9003



RAL5002



RAL6017



RAL3000



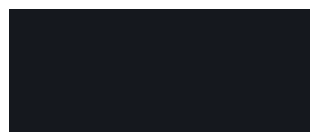
RAL7012



RAL1017



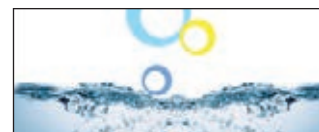
RAL5012



RAL9011



RAL9005



OpenArt

**K!Design iQ**

Here you obtain the informative washing phase display for the attractive K!Design.

**Just how you like it: K!Design iQ OpenArt**

With this design option there is no limit to your creativity. Design your Klean!Star iQ freely and individually. Just how you like it and what suits you. The high-quality mix of materials of K!Design iQ is the basis for this.

**Modern and safe: LED lights**

In the design lines K!Design, K!Design iQ and K!Design iQ OpenArt you can decide on extensive LED lights: on the left, on the right or on both sides. Or also none at all.

**Clear lines show: ambient lighting**

What looks good in the car, also emphasizes your supreme standard with your Klean!Star iQ. Illuminated door frames give your system and wash hall an individual ambience that catches the eyes of your customers.



**STOP**

**STOP**

**KÄRCHER**  
Professional

**KÄRCHER**  
Professional



# FASCINATING TECHNOLOGY. INSPIRING SKILLS.

**When technology impresses primarily by what it makes possible. In the case of our Klean!Star iQ that is, in short: modularity, efficiency, speed, profitability, flexibility and customised options.**

Raw technical data never reveals anything about the actual skills of a system. The intelligent design and realisation can be difficult to express in numbers. In each case the technical data of our Klean!Star iQ shows how much potential it has.

## **Performance and function drive the success**

The right cleaning agent and its professional use are decisively important factors for a successful vehicle wash. In your Klean!Star iQ you can use up to 8 different cleaning agents. This depends on the cleaning and care options used. The empty level control indicates early on when which cleaning agent has to be replenished. With the optional fill level monitoring you are informed at all times about the filling level of each individual cleaning agent. This allows you to ensure the uninterrupted operation of your gantry car wash.

Technical data		CWB 3/1 Klean!Star iQ	CWB 3/2 Klean!Star iQ	CWB 3/3 Klean!Star iQ
Wash height	m	2.10 / 2.20 / 2.30	2.40 / 2.50 / 2.60	2.70 / 2.80 / 2.90
Complete plant height incl. the roof brush splash guard	m	2.93 / 3.03 / 3.13	3.23 / 3.33 / 3.43	3.53 / 3.63 / 3.73
Frame width with side brushes splash guard	m	4.06	4.06	4.06
Frame length	m	1.60	1.60	1.60
Drive-through width on mirror height	m	2.45	2.45	2.45
Drive-through width on wheel wash height	m	2.20	2.20	2.20

# GET MORE DONE.

With the modular design of our Klean!Star iQ you already have numerous possibilities of equipping your gantry perfectly to your needs. Here we get to the point thinking beyond the gantry. Water reclamation is an important topic. And additional options such as self-service vacuum cleaners, fore-court units as well as start and payment terminals.



**CR 214 Pin Code Start Terminal**

You generate a PIN code at the POS. Your customers start the system by entering the PIN code on the display of the start terminal.

**CR 300 for codes and cards**

You generate a PIN code or barcode at the POS and/or hand out a RFID card. Your customers start the system by entering the PIN code/barcode on the display of the start terminal or inserting the RFID card.

**CryptoVGA**

This start and pay terminal combines a touchscreen with a secure PIN pad. The colour touchscreen guides your customers through the start and pay process with clear images and icons. As a result, the entire process is fast, simple and very user-friendly. The CryptoVGA is certified for accepting credit, debit, fleet and customer cards. With additional options you can also use innovative payment technologies such as contactless, RFID and smartphone payments (NFC).



**Water reclamation system WRB Bio**

With this system you save up to 98% fresh water. The water treatment is effected by natural processes using microorganisms and results in excellent used water quality: Thanks to the high process efficiency of this system almost all the water can be reused. Other benefits include the compact design and the lower service costs.

**Water reclamation system WRP Car Wash**

With this system you save up to 85% fresh water. It recycles oil-free waste water economically and effectively without flocculation chemicals. You can reuse the reclaimed water for all wash programmes. With this modular and flexible system you get the optimal solution for almost every site.



**Self-service vacuum cleaner**

With our individually configurable self-service vacuum cleaner SB VC you obtain maximum suction power together with comfort and an innovative design. And an option that brings you additional sales.

**Service for safety. Air Tower**

With the Air Tower you give your customers the option to precisely check and control the tyre pressure up to 8 bar.

**Air and water for everything. Air Water Tower**

At the Air Water Tower you also offer your customers a water dispenser to top up the windscreen washer system, for example, in addition to the accurate checking and control of the tyre pressure up to 8 bar.

**Fresh scent inside. Perfume Tower**

At the Perfume Tower your customers neutralise unpleasant odours in the vehicle in an instant. There is a choice of four pleasant scents, thus allowing you to cater to almost every customer's taste.

**One for all. Mat Cleaner**

Here is your Mat Cleaner for the waterless cleaning of rubber and textile mats up to 80 cm wide. This is 20 cm more than what traditional mat cleaners manage. You can now satisfy every customer.

# THE APPROPRIATE AGENTS FOR THE GANTRY





**No half measures! You and I, we all think along the same lines. Accordingly we developed a new cleaning agent line for our new Klear!Star iQ, the Klear!Line, with which you can fully exploit the potential of this gantry car wash. And the potential of any other gantry too.**

Our new VehiclePro Klear!Line programme includes Klear!Prewash, Klear!Brush, Klear!Foam, Klear!Dry and Klear!Glow. Complete your offer according to your needs with rim cleaner, rim foam and polish from our tried-and-tested range of cleaning agents.

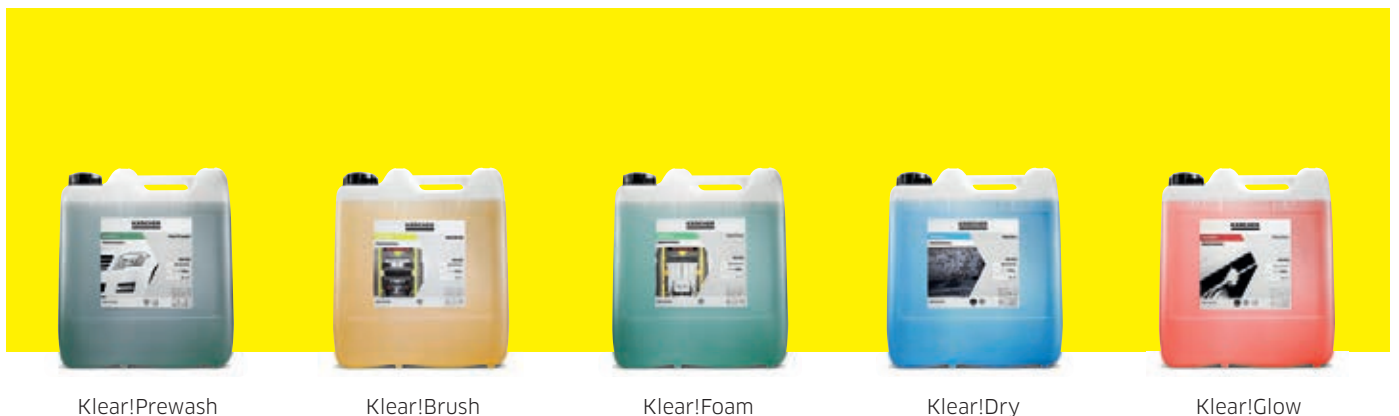
#### **Complete, professional and exclusive**

With the new VehiclePro Klear!Line Premium as an operator of a gantry car wash you receive the latest generation of innovative cleaning agents, with which you obtain a perfect washing and drying result and at the same time an optimised washing time at a low cost. Klear!Dry in combination with the K!Dry iQ makes possible a superb drying result in a single passing. Klear!Foam and foam cleaner also assist the drying process. The new Klear!Glow creates a high shine as well as long-lasting conservation with drip-off effect.

#### **Clean, safe and fresh**

All VehiclePro Klear!Line products are ultra-high cleaning concentrates and extremely economical in consumption. New substances guarantee a perfect washing result also with difficult vehicle contours. Last but not least, the distinctive scent of our new Kärcher scent concept also contributes to perfect cleanliness. The colour coding provides security when replenishing: the cleaning agents have the same colour as the label on the canister and the dosing pumps at the system. This rules out any mistakes. Also with the supply. Use the automatic reordering tool via Kärcher Fleet so that you always have enough cleaning agent in stock.

High standards? Then our VehiclePro Klear!Line is your perfect choice: optimal cleaning and care, low consumption and maximum efficiency, modern formulas and selected quality raw materials.



Klear!Prewash

Klear!Brush

Klear!Foam

Klear!Dry

Klear!Glow

# WE LEAD YOU TO SUCCESS. AND MORE.

A gantry car wash is an investment that must be professionally planned and implemented. In order for you to obtain the best solution with minimum costs and time, we give you our extensive know-how with our innovative technology. We accompany you from the idea to the realisation and during operation.

## **Our advice for your success**

The decision for a gantry car wash is more than just a decision in favour of a machine. We offer you modern financing options for your system with great flexibility and economy with Kärcher Rent and Kärcher Lease. We accompany you with the site analysis and take into consideration your individual business model. And together with you we devise the marketing, from the positioning to the unique selling points (USPs) through to the communication concept.

## **From planning to realisation**

The careful selection of the optimal site is effected initially in this important phase. We assist you here and in the realisation as a general contractor up to the final installation. During this time you benefit from our international experience and competence in the area of gantry car washes.

## **Success needs continuity**

Your new gantry car wash is installed and working without any problems. To ensure your system also remains this way in the long term, we continue to be here for you. Our Kärcher Maintain service packages and the Kärcher Service customer service or factory-trained service partners guarantee smooth operation over the coming years. With regular maintenance and our comprehensive customer service you secure the success of your investment and improve it continuously.



**ADVICE**

**REALISATION**

**AFTERSALES**



Please contact us for more information:

#### **Head Office Germany**

Alfred Kärcher GmbH & Co. KG  
Alfred-Kärcher-Straße 28-40  
71364 Winnenden

Phone +49 7195-14-0  
Fax +49 7195-14-2212

[www.kaercher.com](http://www.kaercher.com)

#### **North America**

Kärcher North America  
4555 Airport Way  
Denver, CO 80239  
USA

Phone +1 303-738-5805  
Fax +1 303-865-2758

[www.karcherna.com](http://www.karcherna.com)

#### **United Kingdom**

Kärcher (UK) Ltd  
Kärcher House  
Brookhill Way  
Banbury  
Oxon OX16 3ED

Phone +44 1295-752-000  
Fax +44 1295-752-103

[www.karcher.co.uk](http://www.karcher.co.uk)

#### **Ireland**

Kärcher Ltd  
Unit 4  
E.P. Mooney Business Park  
Walkinstown Avenue  
Dublin 12

Phone +353 1-409-7777  
Fax +353 1-409-7775

[www.karcher.ie](http://www.karcher.ie)

#### **South East Asia**

Regional Head Office  
South East Asia  
Kärcher South East Asia Pte Ltd  
3 Depot Close #05-01  
Singapore 109840

Phone +65 6897-1811  
Fax +65 6897-1611

[www.karcher.com.sg](http://www.karcher.com.sg)

#### **Hong Kong**

Kärcher Limited  
Unit 05, 13/F, Nanyang Plaza  
57 Hung To Road  
Kwun Tong, Kowloon

Phone +852 2-357-5863  
Fax +852 2-357-5632

[www.karcher.com.hk](http://www.karcher.com.hk)

#### **Australia**

Kärcher Pty Ltd  
40 Koornang Road  
Scoresby VIC 3179  
Melbourne, Victoria

Phone +61 3-9765-2300  
Fax +61 3-9765-2398

[www.karcher.com.au](http://www.karcher.com.au)

#### **New Zealand**

Kärcher Ltd  
66 Allens Road  
East Tamaki  
Auckland 2013

Phone +64 9-274-4603  
Fax +64 9-274-6932

[www.karcher.co.nz](http://www.karcher.co.nz)

#### **South Africa**

Kärcher (Pty) Ltd  
Cnr Mount Joy & George Allen Rd  
Wilbart Ext. 2  
PO Box 11818  
Vorna Valley, 1686

Phone +27 11-657-7300  
Fax +27 11-657-7440

[www.karcher.co.za](http://www.karcher.co.za)

#### **Dubai**

Kärcher FZE  
Quality Cleaning Systems  
Jebel Ali Free Zone  
Plot No. S-10104 South Zone  
RA 08, XB 1, Jebel Ali

Phone +971 4-886-1177  
Fax +971 4-886-1575

[www.karcher.ae](http://www.karcher.ae)