

# KÄRCHER

makes a difference



**OFFER MORE.  
ACHIEVE MORE. BE MORE.**

Make more out of your site with our Klean!Star gantry car wash.



# A PRUDENT INVESTMENT

A lot is possible. The question is always whether it also makes sense. The big solution can also be too big, in other words uneconomical. If the cost calculation is paramount for your site, our Klean!Star is perfect for you. With the basic options you can already offer your customers more with little investment.





# FOR YOUR SUCCESS AND YOUR FUTURE

You are well aware that with a vehicle wash it is about much more than clean cars. It is about satisfied customers who come back again and again. It is about economic success and sustainability. To sum up: your success.

## **Key Performance**

Kärcher is a global leader for cleaning technology with more than 20 years of experience in gantry car washes.

## **Availability**

Long service life of our machines and a comprehensive service network guarantee you maximum availability.

## **Economy**

At our end economy starts with low operating costs. Then there are customer-oriented innovations, added value for the end customer, differentiation from other locations and higher sales.

## **Rapidity**

We want to help you reach your goals faster. With quick wash programmes, optimised washing times and a variety of programmes tailored to your needs.

## **Comfort**

Comfort is never an end in itself. The design of your Klean!Star is a real eye-catcher that attracts customers. We have made it as easy and intuitive to operate as possible. You will appreciate the added-value immediately and recognise the comfort as a gain.

## **Holistic**

We accompany you throughout all phases, from consulting and planning through to realisation. And during operation with advanced services.

## **Environment**

Environmental protection, the protection of resources and sustainability are just as important to us as you are. From the outset in production through to the ongoing operation of the system.

## **Results**

Visible results are what matters to your customers. The excellent washing quality, also in the rear area and at the wheel rims. Perfect drying. And then what ultimately counts: complete customer satisfaction and sustainable sales.

# BETTER IN EVERY RESPECT

**Think in new dimensions. Our Klean!Star gives you greater width at mirror and wheel level for easier entry and exit. And between entry and exit you experience many other new dimensions of the washing technology.**

**Greater width and height for more success** Modern vehicles are wider and higher. Your Klean!Star is perfectly adapted to mirror and wheel levels with greater width. For optimal use of your wash hall you can set 3 different wash heights with K!Adjust. The roof brush is raised gradually.

**Saving water is obvious** Reduce operating costs and protect natural resources. During the wash our Klean!Star wets the brushes with reclaim water in the 2nd cycle and only performs the rinsing process with fresh water. This is as easy as it is intelligent and efficient. You can of course only use fresh water if you prefer.

**Delivered in one piece** You want your new gantry car wash delivered and installed as quickly as possible. And this is exactly what will happen! We deliver your Klean!Star completely assembled. Our innovative assembly concept permits preassembly in the factory and very simple and fast installation at your premises.



**Everything in sight** You don't have to stand beside your Klean!Star in order to practically be on site. Thanks to our Kärcher Fleet telematics system you can see all key data and the technical status at a glance online at any time. With data on runtimes, cleaning agent consumption and the number of washes, you have a continuous overview of the efficiency of your system. And thus a solid base for your planning. With up-to-date information about downtimes and error messages, you can respond fast. Kärcher Fleet looks after the entire fleet management for you, not only for your Klean!Star, but also for other mobile or stationary cleaning machines from Kärcher.

**Kärcher Remote** enables future-oriented services such as remote diagnostics and remote maintenance via our service portal. This means the most efficient form of service is available.

STOP

**KÄRCHER**  
Professional



**MORE HIGH  
PRESSURE  
FROM ALL SIDES**





**Customised high pressure: depending on the equipment, decide in favour of a high-pressure option and then on the compatible high-pressure pump.**

**Wheel high pressure** The high-pressure unit for the lower area from sills to mirrors is included in the basic equipment of every Klean!Star.

**Wheel/Side high pressure** With this option wheel high pressure and side high pressure always work simultaneously. Your customers still receive an excellent cleaning result. And you protect your budget.

**Roof high pressure** This option includes the pre-cleaning of the roof, front and rear area with a high-pressure tube mounted at the roof drier. You have a choice of 2 versions depending on the roof drier system selected: the fixed roof high-pressure unit with fixed nozzles as well as the swivelling roof high-pressure unit with nozzles that swivel 30° forwards and back.

**Underbody wash** There is scarcely a customer who doesn't take advantage of the thorough removal of dirt on the underbody of their vehicle. This option brings you additional sales.

# NEW WAYS FOR CLEANING AND CARING



**Choose from a variety of cleaning and care programmes with which you best meet the individual needs of your customers. Your Klean!Star already has the following cleaning and care programmes ex works:**

**Shampoo** For the brush wash, we use shampoo that guarantees not only powerful cleaning but also a very gentle wash process. Our VehiclePro Klear!Brush is optimally tailored to the Klean!Star and reliably removes even stubborn dirt. And it already opens up the water film during the brush wash for efficient drying.

**Drying aid** A drying aid is applied during the rinsing process for the perfect drying of a vehicle. VehiclePro Klear!Dry is optimally tailored to the different driers of our Klean!Star.



**You are optimally positioned with these cleaning and care programmes. And the other options ensure no wish is unfulfilled:**

**Intensive precleaning** Offer your customers the ideal seasonal prewash. Our intensive precleaning with Klear!Prewash effectively removes insect residue in the summer or salt deposits in the winter and optimally prepares the vehicle for the other cleaning steps.

**Wax** Shiny vehicles ensure satisfied customers. In your Klean!Star your customers' vehicles are well protected against external influences and receive a beautiful shiny appearance with the application of VehiclePro Klear!Glow in liquid or foam form after the rinsing process.

**Rim cleaner** You find the toughest dirt on rims: tyre wear, burnt-in brake dust and gritting salt. Our rim cleaner removes all this. Such perfectly clean rims convince your customers to return. And as a result you achieve another new sale.

**Polish** Our polish ensures long-lasting and shiny conservation of the vehicle surface and protects the vehicle against external influences for several months. Such well-maintained paintwork helps conserve the value of the vehicle.

**Active foam** Our powerful and intensive VehiclePro Klear!Foam developed especially for the Klean!Star effortlessly removes stubborn dirt. The Klear!Foam is applied in the gantry frame via special nozzles or optionally via a spray system at the roof brush during the brush wash. This helps us to reduce the washing time and subsequently achieve an even higher throughput. And for you this simply means more sales.

# GENTLE AND EFFECTIVE





**Tried-and-tested technology is always justified. The side brushes of our Klean!Star reliably follow the body shape and achieve a cleaning result that convinces even discerning customers. As has been done for many years now in our gantry car washes.**

**Gentle: CareTouch** are contoured brushes made from a specially foamed polyethylene. We chose CareTouch for the roof and side brushes of our Klean!Star in order to guarantee very gentle removal of dirt on the vehicle surface.

**Twice as good: contour detection of the side brushes**

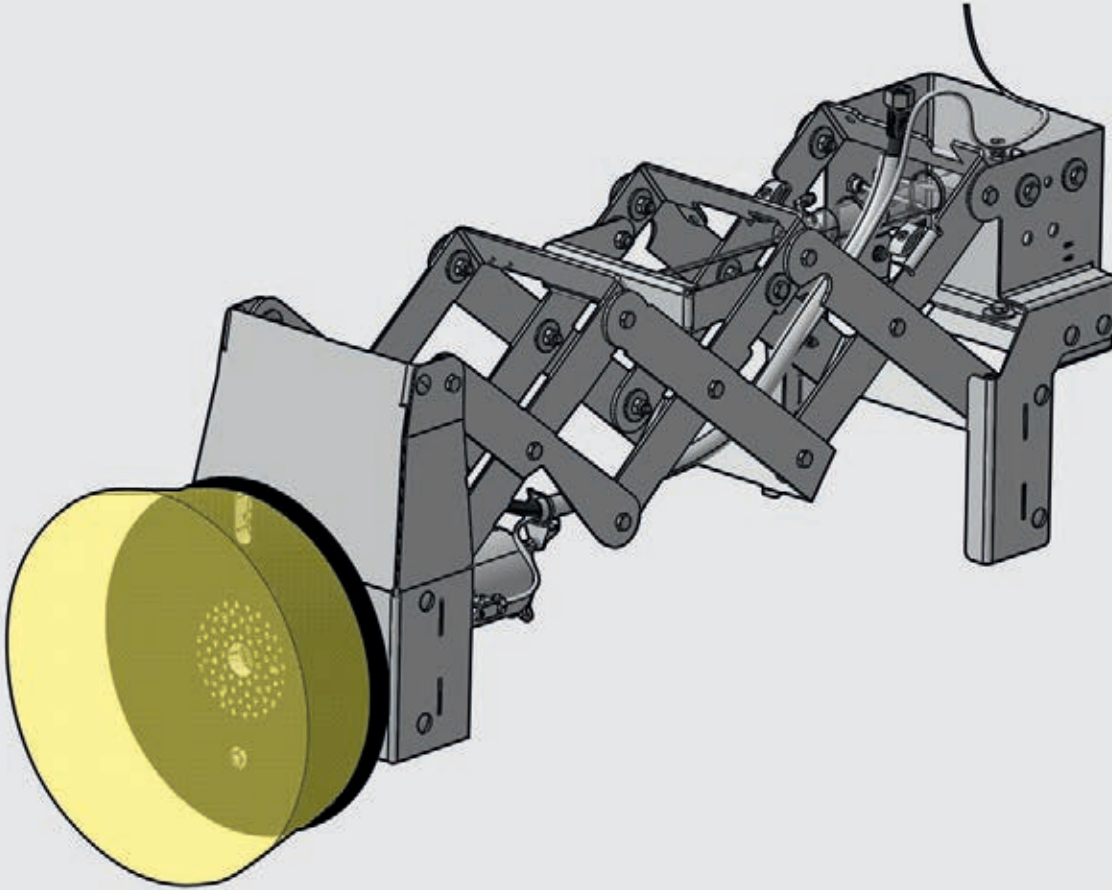
In the forward direction our Klean!Star places the side brushes at an angle of up to 15° diagonal to the vehicle so that the upper area is optimally detected and cleaned. In reverse mode the side brushes are guided down accordingly in order to clean the sill area optimally as well.

**Millimetre precision: side brush inclination**

We rethought the side brush inclination: we use precise racks for our Klean!Star. This way the system not only provides a low-maintenance, high-precision service, but also detects the exact position of the brush at the vehicle at any time. And, as you expect, all with millimetre precision for perfect and gentle cleaning. When we do something different from all the others, then it is simply because we want to make it better.

**ACTS WHERE  
THE DIRT IS**





**The wheel wash has always been one of the greatest skills of the vehicle wash: spokes in all possible shapes, deep 3D structures and all different wheel sizes are one problem. Stubborn dirt and burnt-in brake dust and encrusted gritting salt are another. You solve both problems with our wheel washer.**

**No task is too big for us** With our Klean!Star we are introducing a completely new principle to the wheel wash: the linear scissor wheel washer. It also reaches the wheels of vehicles that are not positioned in the middle of the gantry car wash. Even for vehicles with a narrow track width and small cars our scissor wheel washer always has a sufficient extension path. The scissor wheel washer is available with or without high pressure.



**For significantly higher cleaning performance** An effective rim cleaner is a useful addition for every wheel washer. VehiclePro rim cleaner gently and intensively removes stubborn dirt such as burnt-in brake dust, tyre wear and encrusted gritting salt.

# CLEANLINESS ITSELF IS NOT ENOUGH.

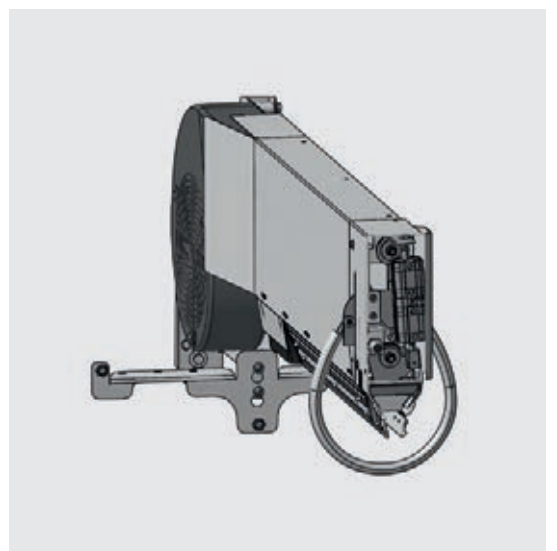
**The best wash result is nothing without good drying.  
And you get this with your Klean!Star in 2 variants.**

**As before, only much better** Our drier follows contours and achieves excellent drying thanks to its high air flow volume.

**Returns to the contour at an angle** The +/- 30° swivelling roof drier follows the contour of the vehicle. The result is even better and faster drying in the front and rear area.







# A GOOD APPEARANCE IS CONVINCING.



**Skill and a good appearance always look good. Show your customers at first glance that they can expect more from your Klean!Star. Lots more.**

**The choice is yours** You decide what your Klean!Star looks like. Choose the Kärcher standard design or your favourite colour from 4 standard colours for the frame and doors. Then decide on one of the two front door designs.



RAL9003



RAL5002



RAL6017



RAL3000



RAL7012

**Focus on functionality** Depending on the site and utilisation, the simplest way can be the right one. For your gantry car wash this may be the basic front doors which fulfil all required functions without putting a strain on the budget.

**Beautiful and modern: K!Design** This is the distinctive design of advanced technology: consistent and extensive, high-quality acrylic glued with foil. Exclusive Day & Night look in black or one of 4 standard colours.

**Modern and safe: LED lights** For the basic front doors as well as the design line K!Design you can opt for large, extensive LED lights: on the left, on the right or on both sides. Or none at all.



**STOP**

**STOP**

**KÄRCHER**  
Professional

**KÄRCHER**  
Professional

# FASCINATING TECHNOLOGY. INSPIRING SKILLS.

**When technology impresses primarily by what it makes possible. In the case of our Klean!Star that is, in short: modularity, efficiency, speed, profitability.**

Raw technical data never reveals anything about the actual skills of a system. The intelligent design and realisation can be difficult to express in numbers. In each case the technical data of our Klean!Star shows how much potential it has.

**Performance and function drive the success** The right cleaning agent and its professional use are decisively important factors for a successful vehicle wash. In your Klean!Star you can use up to 6 different cleaning agents. This depends on the cleaning and care options used. The empty level indicator for the cleaning agent shows you early on when which cleaning agent has to be replenished. This allows you to ensure the uninterrupted operation of your gantry car wash.

Technical data		CWB 3/1 Klean!Star	CWB 3/2 Klean!Star	CWB 3/3 Klean!Star
Wash height	m	2.10 / 2.20 / 2.30	2.40 / 2.50 / 2.60	2.70 / 2.80 / 2.90
Total plant height incl. roof brush splash guard	m	2.93 / 3.03 / 3.13	3.23 / 3.33 / 3.43	3.53 / 3.63 / 3.73
Frame width with side brush splash guard	m	4.06	4.06	4.06
Frame length	m	1.60	1.60	1.60
Drive-through width at mirror height	m	2.45	2.45	2.45
Drive-through width at wheel wash height	m	2.20	2.20	2.20

# GET MORE DONE.

With the modular design of our Klean!Star you already have a range of options for adapting your gantry perfectly to your needs. This involves thinking beyond the gantry itself. Water reclamation is an important topic. And additional options such as self-service vacuum cleaners, forecourt units as well as start and payment terminals.



**CR 214 Pin Code Start Terminal**

You generate a PIN code at the POS. Your customers start the system by entering the PIN code on the display of the start terminal.

**CR 300 for codes and cards**

You generate a PIN code or barcode at the POS and/or hand out an RFID card. Your customers start the system by entering the PIN code/barcode on the display of the start terminal or inserting the RFID card.

**CryptoVGA**

This start and pay terminal combines a touchscreen with a secure PIN pad. The colour touchscreen guides your customers through the start and pay process with clear images and icons. As a result, the entire process is fast, simple and very user-friendly. The CryptoVGA is certified to accept credit, debit, fleet and customer cards. With additional options you can also use innovative payment technologies such as contactless, RFID and smartphone payments (NFC).

**Water reclamation system WRB Bio**

With this system you save up to 98% fresh water. The water treatment is effected by natural processes using microorganisms and results in excellent used water quality: Thanks to the high process efficiency of this system almost all the water can be reused. Other benefits include the compact design and the lower service costs.

**Water reclamation system WRP Car Wash**

With this system you save up to 85% fresh water. It recycles oil-free waste water economically and effectively without flocculation chemicals. You can reuse the reclaimed water for all wash programmes. With this modular and flexible system you get the optimal solution for almost every site.



**Self-service vacuum cleaner**

With our individually configurable SB VC self-service vacuum cleaner you get maximum suction power with comfort and an innovative design. And an option that brings you additional sales.

**Service for safety. Air Tower**

With the Air Tower you give your customers the option to precisely check and control the tyre pressure up to 8 bar.

**Air and water for everything. Air Water Tower**

At the Air Water Tower you also offer your customers a water dispenser to top up the windscreen washer system, in addition to the accurate checking and control of the tyre pressure up to 8 bar.

**Fresh scent inside. Perfume Tower**

At the Perfume Tower your customers neutralise unpleasant odours in the vehicle in an instant. There is a choice of four pleasant scents, thus allowing you to cater to almost every customer's taste.

**One for all. Mat Cleaner**

Here is your Mat Cleaner for the waterless cleaning of rubber and textile mats up to 80 cm wide. This is 20 cm more than what traditional mat cleaners manage. You can now satisfy every customer.

# THE APPROPRIATE AGENTS FOR THE GANTRY





**No half measures! You and I, we all think along the same lines. Accordingly we have developed a new cleaning agent line for our new Klean!Star, the Klear!Line, with which you can fully exploit the potential of this gantry car wash. And the potential of any other gantry too.**

Our new VehiclePro Klear!Line programme includes Klear!Prewash, Klear!Brush, Klear!Foam, Klear!Dry and Klear!Glow. Complete your offer according to your needs with rim cleaner, rim foam and polish from our tried-and-tested range of cleaning agents.

**Complete, professional and exclusive** As the operator of a gantry car wash, the new VehiclePro Klear!Line gives you the latest generation of innovative cleaning agents, which produce a perfect washing and drying results and an optimised washing time at a low cost. The new Klear!Dry means good drying results. Klear!Brush and Klear!Foam assist the drying process. The new Klear!Glow creates a high shine as well as long-lasting conservation with drip-off effect.

**Clean, safe and fresh** All VehiclePro Klear!Line products are ultra-high cleaning concentrates and extremely economical in consumption. New substances guarantee a perfect washing result also with difficult vehicle contours. Last but not least, the distinctive scent of our new Kärcher scent concept also contributes to perfect cleanliness. The colour coding provides security when replenishing: the cleaning agents have the same colour as the label on the canister and the dosing pumps at the system. This rules out any mistakes. Also with the supply. Use the automatic reordering tool via Kärcher Fleet so that you always have enough cleaning agent in stock.

High standards? Then our VehiclePro Klear!Line is your perfect choice: optimal cleaning and care, low consumption and maximum efficiency, modern formulas and selected quality raw materials.



Klear!Prewash

Klear!Brush

Klear!Foam

Klear!Dry

Klear!Glow

# **WE LEAD YOU TO SUCCESS. AND MORE.**

A gantry car wash is an investment that must be professionally planned and implemented. In order for you to obtain the best solution with minimum costs and time, we give you our extensive know-how with our innovative technology. We accompany you from the idea to the realisation and during operation.

## **Our advice for your success**

The decision for a gantry car wash is more than just a decision in favour of a machine. We offer you modern financing options for your gantry with great flexibility and economy with Kärcher Rent and Kärcher Lease. We accompany you with the site analysis and take into consideration your individual business model. And together with you we devise the marketing, from the positioning to the unique selling points (USPs) through to the communication concept.

## **From planning to realisation**

The careful selection of the optimal site is effected initially in this important phase. We assist you here and in the realisation as a general contractor up to the final installation. During this time you benefit from our international experience and competence in the area of gantry car washes.

## **Success needs continuity**

Your new gantry car wash is installed and working without any problems. To ensure your system also remains this way in the long term, we continue to be here for you. Our Kärcher Maintain service packages and the Kärcher Service customer service or factory-trained service partners guarantee smooth operation over the coming years. With regular maintenance and our comprehensive customer service you secure the success of your investment and improve it continuously.



**ADVICE**

**REALISATION**

**AFTERSALES**



Please contact us for more information:

#### **Head Office Germany**

Alfred Kärcher GmbH & Co. KG  
Alfred-Kärcher-Straße 28-40  
71364 Winnenden

Phone +49 7195-14-0  
Fax +49 7195-14-2212

[www.kaercher.com](http://www.kaercher.com)

#### **North America**

Kärcher North America  
4555 Airport Way  
Denver, CO 80239  
USA

Phone +1 303-738-5805  
Fax +1 303-865-2758

[www.karcherna.com](http://www.karcherna.com)

#### **United Kingdom**

Kärcher (UK) Ltd  
Kärcher House  
Brookhill Way  
Banbury  
Oxon OX16 3ED

Phone +44 1295-752-000  
Fax +44 1295-752-103

[www.karcher.co.uk](http://www.karcher.co.uk)

#### **Ireland**

Kärcher Ltd  
Unit 4  
E.P. Mooney Business Park  
Walkinstown Avenue  
Dublin 12

Phone +353 1-409-7777  
Fax +353 1-409-7775

[www.karcher.ie](http://www.karcher.ie)

#### **South East Asia**

Regional Head Office  
South East Asia  
Kärcher South East Asia Pte Ltd  
3 Depot Close #05-01  
Singapore 109840

Phone +65 6897-1811  
Fax +65 6897-1611

[www.karcher.com.sg](http://www.karcher.com.sg)

#### **Hong Kong**

Kärcher Limited  
Unit 05, 13/F, Nanyang Plaza  
57 Hung To Road  
Kwun Tong, Kowloon

Phone +852 2-357-5863  
Fax +852 2-357-5632

[www.karcher.com.hk](http://www.karcher.com.hk)

#### **Australia**

Kärcher Pty Ltd  
40 Koornang Road  
Scoresby VIC 3179  
Melbourne, Victoria

Phone +61 3-9765-2300  
Fax +61 3-9765-2398

[www.karcher.com.au](http://www.karcher.com.au)

#### **New Zealand**

Kärcher Ltd  
66 Allens Road  
East Tamaki  
Auckland 2013

Phone +64 9-274-4603  
Fax +64 9-274-6932

[www.karcher.co.nz](http://www.karcher.co.nz)

#### **South Africa**

Kärcher (Pty) Ltd  
Cnr Mount Joy & George Allen Rd  
Wilbart Ext. 2  
PO Box 11818  
Vorna Valley, 1686

Phone +27 11-657-7300  
Fax +27 11-657-7440

[www.karcher.co.za](http://www.karcher.co.za)

#### **Dubai**

Kärcher FZE  
Quality Cleaning Systems  
Jebel Ali Free Zone  
Plot No. S-10104 South Zone  
RA 08, XB 1, Jebel Ali

Phone +971 4-886-1177  
Fax +971 4-886-1575

[www.karcher.ae](http://www.karcher.ae)